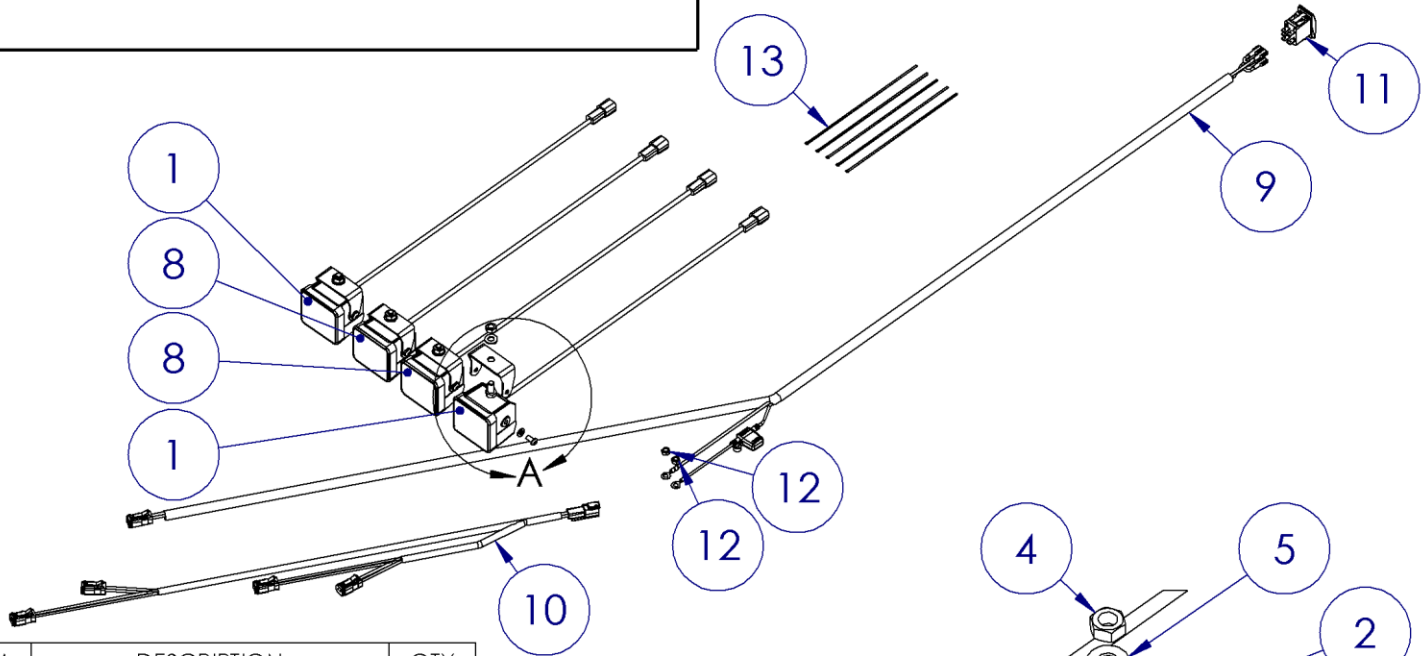


# SL9219-03

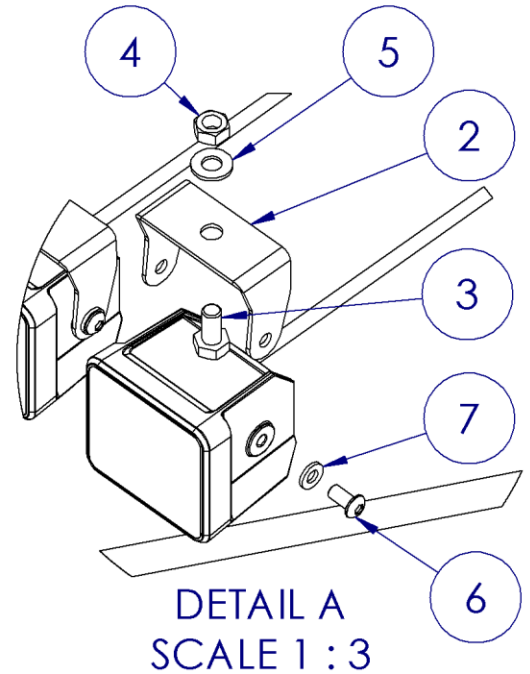
2024-UP Can-Am MAVERICK R,  
BUMPER LIGHT KIT

# MBRP®



ITEM	DESCRIPTION	QTY
1	LIGHT ASSEMBLY [FLOOD]	2
2	LIGHT BRACKET	4
3	M8 X 16 HEX BOLT	4
4	M8 HEX NUT	4
5	M8 WASHER	4
6	M6X12 BUTTON HEAD SCREW	8
7	M6 LOCK WASHER	8
8	LIGHT ASSEMBLY [SPOT]	2
9	SWITCH HARNESS	1
10	LIGHT HARNESS	1
11	SWITCH	1
12	M6 NUT	2
13	8" CABLE TIE	5

**THIS KIT IS  
DESIGNED TO  
WORK WITH  
MBRP AC9219-02  
AND AC9219-12  
BUMPER KITS**



Refer to this LOT NUMBER when contacting customer service: \_\_\_\_\_

## PLEASE READ BEFORE STARTING INSTALLATION

While MBRP has made every effort to ensure that all components of this kit are of superior quality and properly packaged, it is the installer's responsibility to ensure the following before installation;

- that ALL components shown above are present.
- that ALL mating components fit together.
- that there are no damaged components.
- that the product you have purchased is appropriate for your vehicle year, model and configuration.
- that the product will not interfere with any modifications previously installed or planned.
- that you have read and understand these instructions.

If you have any questions or are uncertain about any aspect of the installation of this kit to your vehicle please contact your dealer before commencing installation.

# MBRP

## Installation



Figure 1



Figure 2



Figure 3

1. Disconnect negative battery lead.
2. Remove the 3 dash panels to allow access for wiring installation.  
**Refer to Figure 1.**
3. Route the spade connector end of the **Switch Harness** through the access hole beside the master cylinder reservoir.  
**Refer to Figure 2.**
4. Pull the **Switch Harness** through the firewall and route it to the center console. Remove the 3-place switch bezel and remove one of the cover plates. Install the **Switch** into the bezel. Connect spade terminals to the **Switch**. Be sure to follow color code/pin assignments in **Figure 5**. Reinstall Switch Bezel.  
**Refer to Figures 3, 4 and 5.**

# MBRP



Figure 4

PIN	COLOR
2	RED
3	BLUE
6	RED
7	BLACK
8	BLACK



Figure 5



Figure 6

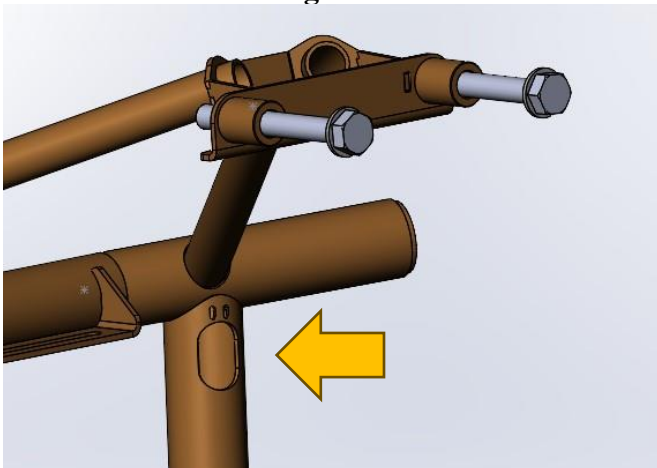


Figure 7

5. Route the **Switch Harness** front the dash area, through the vent hose access hole located in the driver side wheel well/firewall area just behind the front shock.  
**Refer to Figure 6.**
6. Route **Flood Light** and **Spot Light** wiring in through the upper slots, and out the lower slots on the bumper uprights. 2 lights per side. Do not mount the **Lights** yet.  
**Refer to Figure 7.**
7. Connect the **Light Harness** to the **Switch Harness**. Route the long end of the Light Harness over the winch mount, behind the radiator towards the passenger side.

# MBRP



Figure 8

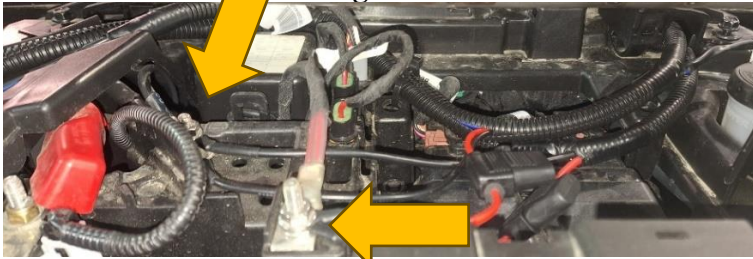


Figure 9



8. Connect the **Light Harness** to each of the **Lights**. Gently feed the connectors back into the lower slots to allow installation of the **Lights** on the front bumper.  
**Refer to Figure 8.**
9. Attach the positive red wire to the accessory power post, and the black wire to the negative ground post. Secure with **M6 Nuts**.  
**Refer to Figure 9.**
10. Secure the wiring harness along its full length with the supplied **8" Cable Ties**. Ensure it is clear of all steering and pedal components.
11. Install the dash panels removed in step 2.
12. Reconnect negative battery lead.

**Congratulations!** You are ready to experience the improved performance of your **MBRP** Accessory Lighting kit. We know you will enjoy your purchase!